



Case study

SMS GATEWAY

messaging platform



PROJECT REQUIREMENTS

Large media companies use this platform during big audience TV shows such as **American Got Talent** to interact with their audience

Companies use this platform to broadcast large advertisement **SMS campaigns**

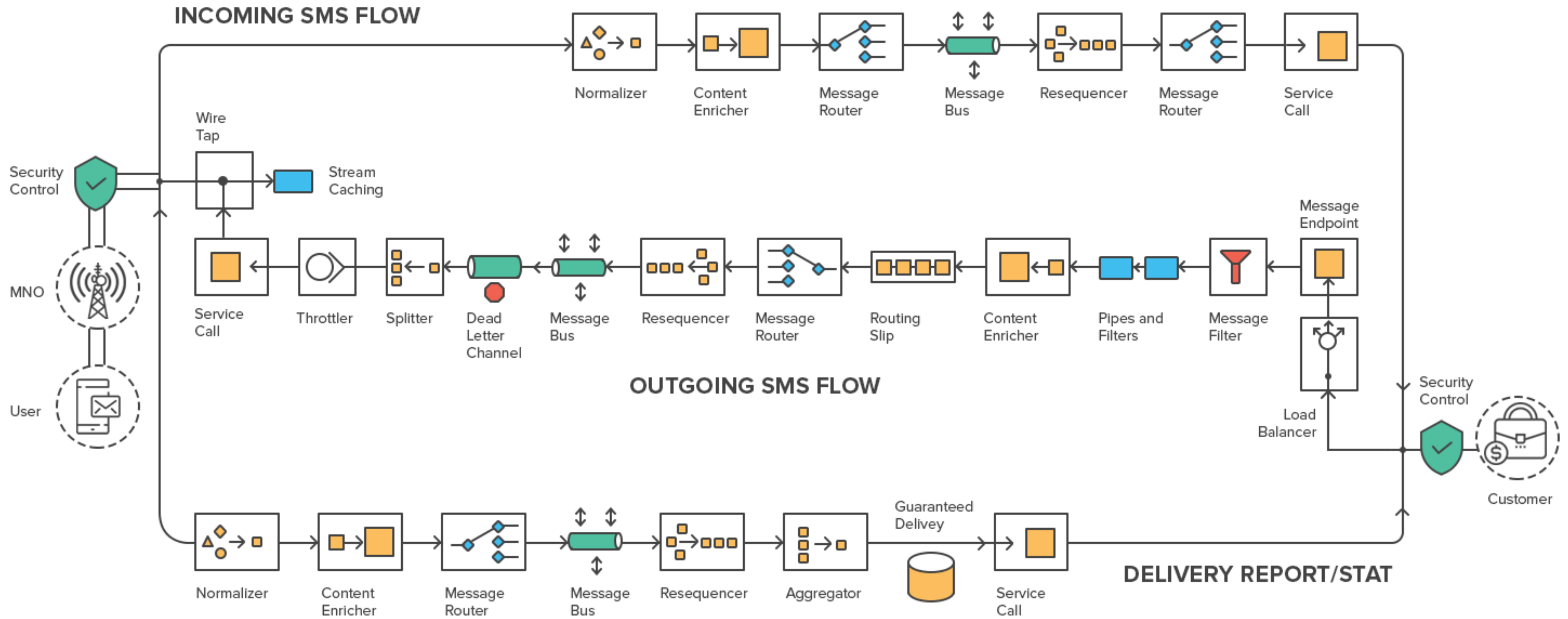
500
SMS/sec

50 000 000
SMS/day



HighLoad and High-throughput 24/7 messaging system

OUR SOLUTION

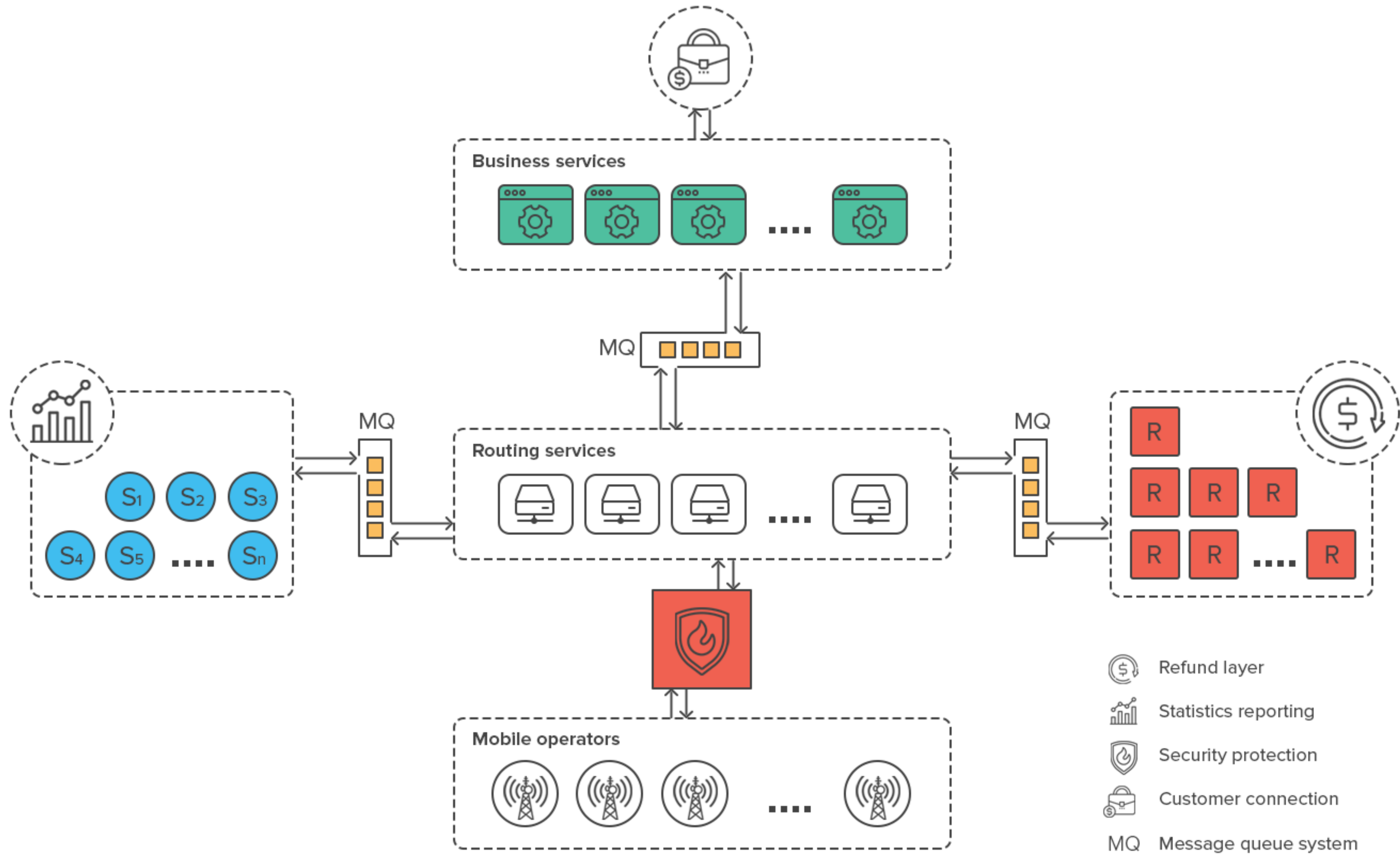


SMS GATEWAY

© Software Service & Innovation

Distributed system based on microservices architecture

IMPLEMENTATION



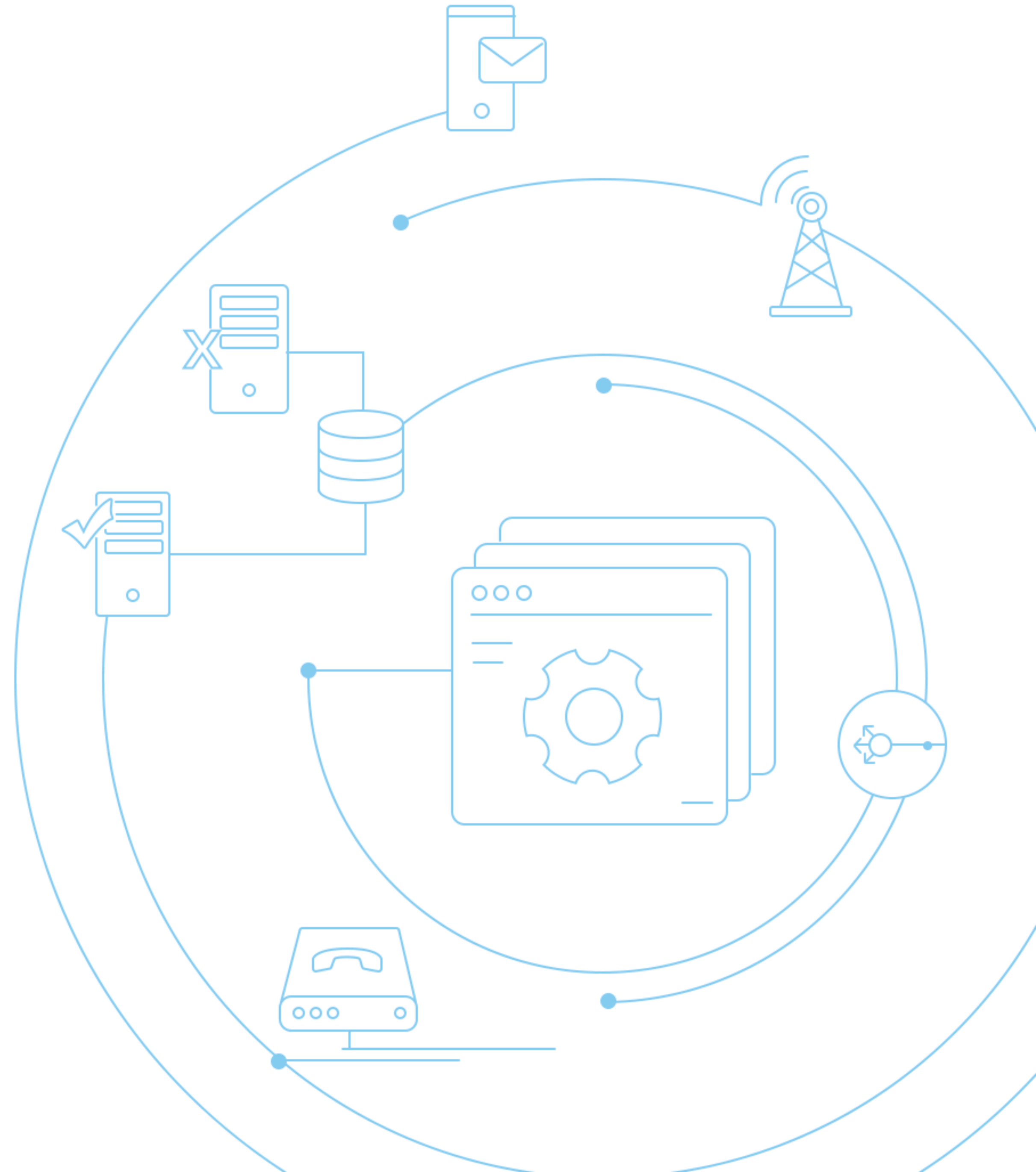
FEATURES

Distributed architecture allowing the following features:

- Load balancing for high performances (high throughput / high load)
- Fault tolerance
- Scalability

Software architecture developed as abstract layers

- The SMS Gateway is connected through more than 100 mobile operators worldwide having their proprietary protocol



PROJECT TIMELINE AND COSTS

TEAM

- 1** project Manager
- 2** senior Developers
- 2** mid Developers
- 1** senior QA



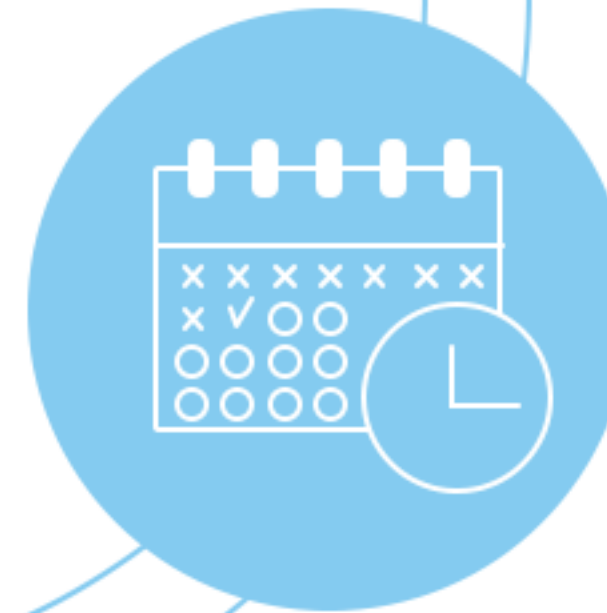
COSTS

Approx. **500 000 USD**



TIME TO ROLL OUT

18 months





SSI OFFICES

software-innovation.ch
info@soft-innovation.ch

4 ch. des Colverts
1233 Bernex-Geneva
Switzerland

Phone: +41 78 757 91 91

45A Chornovola Avenue
UA-79019 Lviv
Ukraine

Phone: +38 066 127 65 05

Thank you!